

## 型式表示方法

RL  
①
8  
②
-
02  
②

### ①接头型号

### ②配套管材直径

|        |    |    |    |     |     |     |
|--------|----|----|----|-----|-----|-----|
| 代码     | 4  | 6  | 8  | 10  | 12  | 16  |
| 管长 (m) | Ø4 | Ø6 | Ø8 | Ø10 | Ø12 | Ø16 |

### ③螺纹规格

| 类型 | 公制螺纹   |        |      | 55° 椎管螺纹 |      |      |      |      | 55° 直管螺纹 |      |      |      |      |
|----|--------|--------|------|----------|------|------|------|------|----------|------|------|------|------|
| 代码 | M3     | M5     | M6   | 01       | 02   | 03   | 04   | 06   | G01      | G02  | G03  | G04  | G06  |
| 规格 | M3X0.5 | M5X0.8 | M6X1 | R1/8     | R1/4 | R3/8 | R1/2 | R3/4 | G1/8     | G1/4 | G3/8 | G1/2 | G3/4 |

## 产品特点

- 机器摆动部位、回转部位配管用接头。
- 回转部分采用轴承，可用于快速摆动部位、高速回转部位。

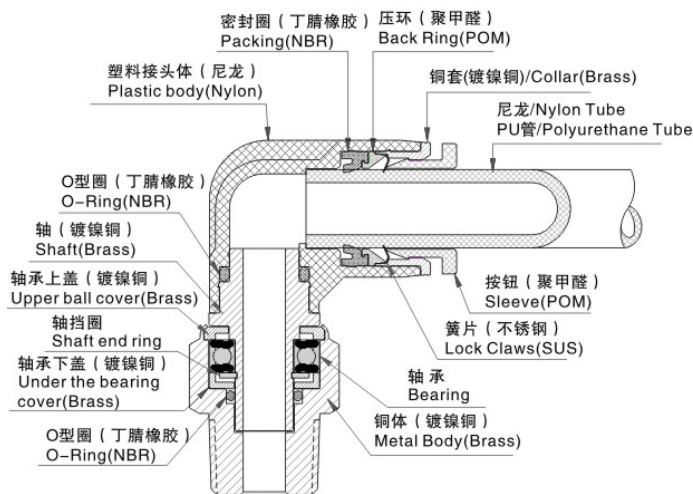
## 技术规格

|        |                 |
|--------|-----------------|
| 使用流体   | 空气、水（有条件）       |
| 工作压力范围 | 0~1.0Mpa        |
| 使用真空压力 | -100Kpa(10Torr) |
| 工作温度范围 | 0~60°C          |

### 旋转接头容许转速

|      |     |           |            |            |            |
|------|-----|-----------|------------|------------|------------|
| 管材长度 | 4mm | 6mm.1/4mm | 8mm.5/16mm | 10mm.3/8mm | 12mm.1/2mm |
| 允许转速 |     | 500r.p.m  | 400r.p.m   | 300r.p.m   | 250r.p.m   |

## 结构示意图

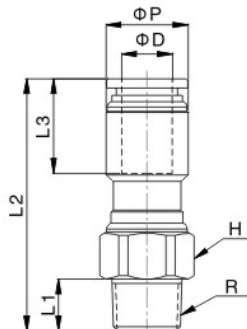


# 旋转接头

Series

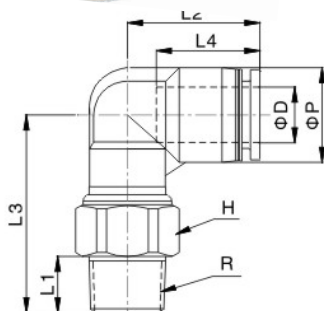
## 回转部件用快插接头

### RC 旋转型直通终端



| 型号      | ØD | R      | L1   | L2   | L3   | P  | H  |
|---------|----|--------|------|------|------|----|----|
| RC4-M5  | 4  | M5X0.8 | 3    | 34   | 16   | 10 | 12 |
| RC4-M6  | 4  | M6X1.0 | 4    | 35   | 16   | 10 | 12 |
| RC4-01  | 4  | R1/8   | 8    | 36.5 | 16   | 10 | 14 |
| RC6-M5  | 6  | M5X0.8 | 3    | 35.5 | 16   | 12 | 12 |
| RC6-M6  | 6  | M6X1.0 | 4    | 36.5 | 16   | 12 | 12 |
| RC6-01  | 6  | R1/8   | 8    | 38   | 16   | 12 | 14 |
| RC6-02  | 6  | R1/4   | 11   | 42   | 16   | 12 | 17 |
| RC8-01  | 8  | R1/8   | 8    | 41.5 | 18.5 | 14 | 14 |
| RC8-02  | 8  | R1/4   | 11   | 45.5 | 18.5 | 14 | 17 |
| RC8-03  | 8  | R3/8   | 12.5 | 48.5 | 18.5 | 14 | 21 |
| RC10-02 | 10 | R1/4   | 11   | 53   | 21   | 17 | 17 |
| RC10-03 | 10 | R3/8   | 12.5 | 56   | 21   | 17 | 21 |
| RC10-04 | 10 | R1/2   | 15   | 58.3 | 21   | 17 | 24 |
| RC12-02 | 12 | R1/4   | 11   | 58.3 | 23   | 20 | 17 |
| RC12-03 | 12 | R3/8   | 12.5 | 61.3 | 23   | 20 | 21 |
| RC12-04 | 12 | R1/2   | 15   | 63.6 | 23   | 20 | 24 |
| RC16-04 | 16 | R1/2   | 15   | 64.6 | 24   | 24 | 27 |

### RL 旋转型直通终端



| 型号      | ØD | R      | L1   | L2   | L3   | L4   | P    | H  |
|---------|----|--------|------|------|------|------|------|----|
| RL4-M5  | 4  | M5X0.8 | 3    | 18.5 | 27.8 | 16   | 11   | 12 |
| RL4-M6  | 4  | M6X1.0 | 4    | 18.5 | 28.8 | 16   | 11   | 12 |
| RL4-01  | 4  | R1/8   | 8    | 18.5 | 30.4 | 16   | 11   | 14 |
| RL4-02  | 4  | R1/4   | 11   | 18.5 | 34.4 | 16   | 11   |    |
| RL6-M5  | 6  | M5X0.8 | 3    | 19   | 28.8 | 16   | 13   | 12 |
| RL6-M6  | 6  | M6X1.0 | 4    | 19   | 29.8 | 16   | 13   | 12 |
| RL6-01  | 6  | R1/8   | 8    | 19   | 31.4 | 16   | 13   | 14 |
| RL6-02  | 6  | R1/4   | 11   | 19   | 35.4 | 16   | 13   | 17 |
| RL8-01  | 8  | R1/8   | 8    | 22.5 | 34.4 | 18.5 | 14.4 | 14 |
| RL8-02  | 8  | R1/4   | 11   | 22.5 | 37.9 | 18.5 | 14.4 | 17 |
| RL8-03  | 8  | R3/8   | 12.5 | 22.5 | 40.9 | 18.5 | 14.4 | 21 |
| RL10-02 | 10 | R1/4   | 11   | 27.5 | 41   | 20.5 | 18.4 | 17 |
| RL10-03 | 10 | R3/8   | 12.5 | 27.5 | 43.4 | 20.5 | 18.4 | 21 |
| RL10-04 | 10 | R1/2   | 15   | 27.5 | 45.7 | 20.5 | 18.4 | 24 |
| RL12-02 | 12 | R1/4   | 11   | 29   | 41.5 | 23   | 21   | 17 |
| RL12-03 | 12 | R3/8   | 12.5 | 29   | 43.9 | 23   | 21   | 21 |
| RL12-04 | 12 | R1/2   | 15   | 29   | 46.2 | 23   | 21   | 24 |
| RL16-04 | 16 | R1/2   | 15   | 32.5 | 57.6 | 24   | 26   | 27 |